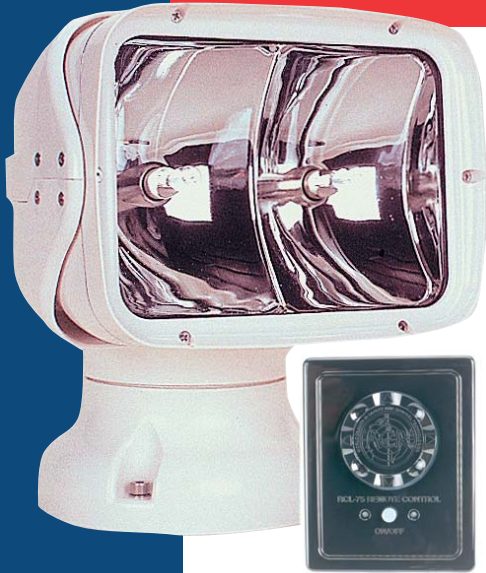


RCL-75



180,000 CD Remote Controlled Searchlight

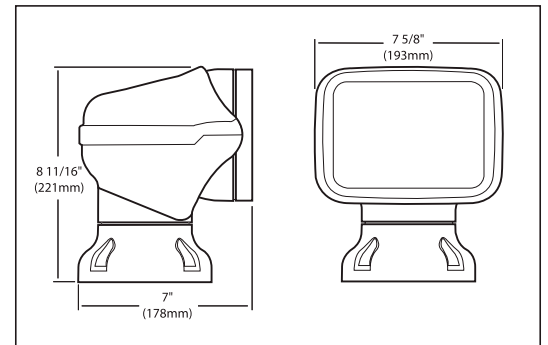
Product No. 1946

- > Housing of ASA material maintains integrity after five years of UV exposure
 - > Dual lamp design provides redundancy, reliability - rated for 200 hrs of use
 - > Includes easy-to-install Point Pad™-style remote control, and surface mount or flush mount adapters included
 - > Electronics located in water-resistant light head for protection from water intrusion
 - > Ocular design provides 18° up/45° down pitch for enhanced visibility when docking or to illuminate drawbridges; 361° rotation
 - > Low torque drive motors for longer gear life
- > Now second station capable; adapter and second remote Point Pad™ allow for second station operation (Available Option - Sold Separately)
- > 7-wire wiring harness, 17 ft. (5.18 m) length now with waterproof connector at the light
- > 1" stackable rings to increase height
- > Application: Pleasure boats, sport yachts, sport fish and commercial vessels

Size:	7.5 x 8.75 x 7.5 in (19.1 x 22.2 x 19.1 cm)
Weight:	4.2 lbs (1.9 kg)
Material:	UV ASA
Color:	White
Operation:	Remote controlled Point Pad™
Beam Angle:	3° vertical, 7° horizontal
Elevation Angle:	18° up, 45° down
Rotation:	361°
Rotation Speed:	6°-7° per second
Elevation Speed:	6°-7° per second
Lamp:	Two high intensity 55W Halogen
Accessories:	9426 Tinned wiring harness with waterproof connection -17 ft. (5.2 meters) 9427 Stackable 1-inch riser (fairing block) 9428 Second station Point Pad™ 9442 Second station harness adapter (splitter)

Limited Warranty: 1 Year

Carton Dimensions:	10.0 x 9.0 x 9.0 in (25.4 x 22.9 x 22.9 cm)
Carton Weight:	7 lbs (3.2 kg)
Units Per Carton:	1



ACR Electronics, Inc.
5757 Ravenswood Road
Fort Lauderdale, FL 33312, U.S.A.
Tel Worldwide: +1(954) 981-3333
Fax: +1(954) 983-5087
www.acrelectronics.com